



# Ahuacatl

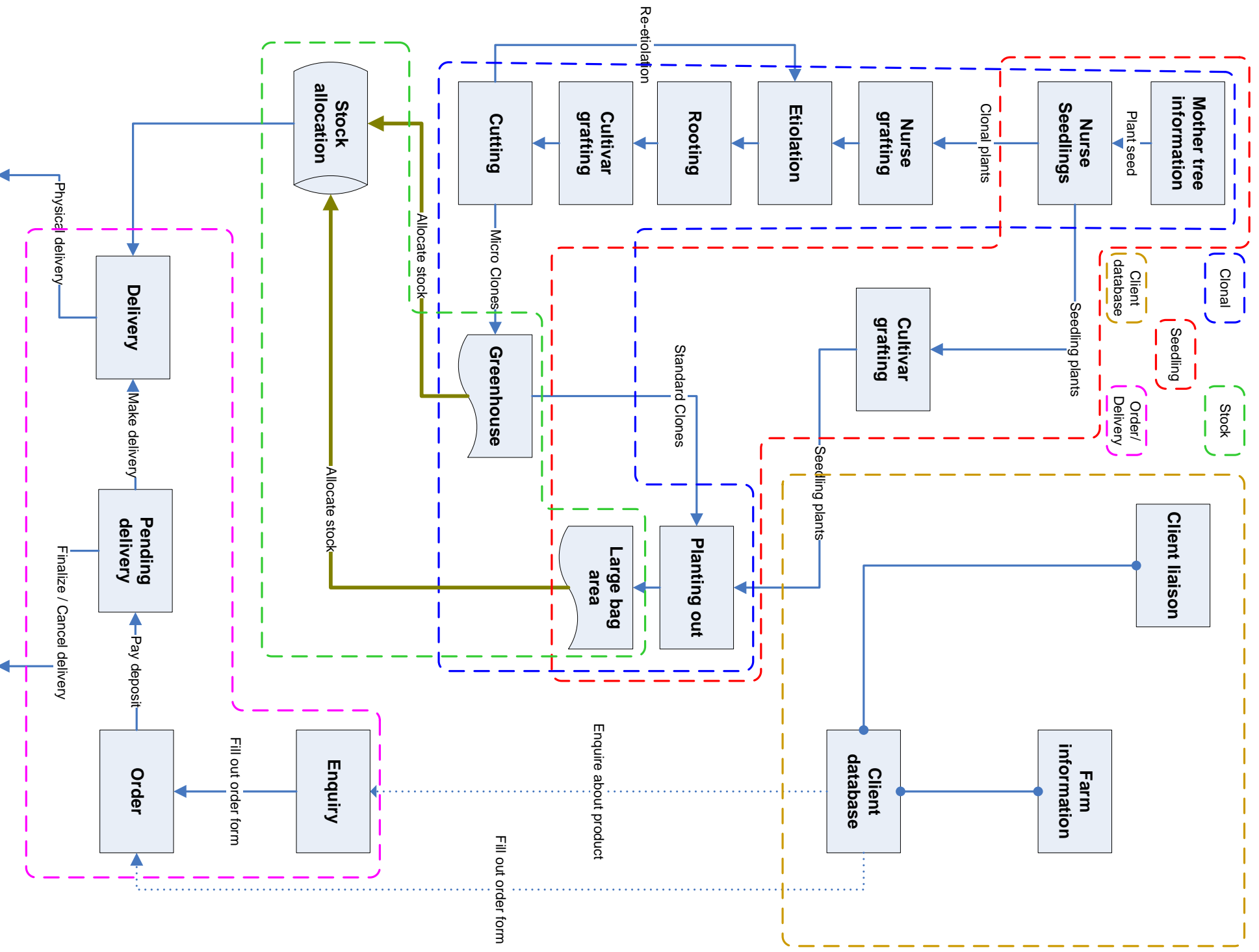
A Comprehensive Nursery  
Management Solution

# Allesbeste Nursery

Ahuacatl

World Avocado Congress VI

14/11/2007





# Introduction

- In order for a business to remain competitive in its marketplace it is necessary for that business to be highly efficient in its management.
- According to this, the need for a computer software management solution in the Avocado nursery industry was identified in 1998 by Allesbeste Nursery.
- A software program specifically for the above purpose has been developed, and
- extensively used by the Nursery throughout the development process since 1999.
- Ready to be tested by other interested nurseries in order to identify needs that are not yet catered for, thereby making this program a management tool well suited for all.



# Introduction

- Program consists of :
  - Client database
  - Stock database
  - Ordering and delivery
- Supports the Micro Cloning technique



# The Process

- Client database

- Client contact information

- Farm information

- Per orchard/block information

- Liaison information

- Records of contact made between client and nursery

- Sales information

- Information regarding current and previous orders and their deliveries

# The Process

- Stock database

- Mother tree information

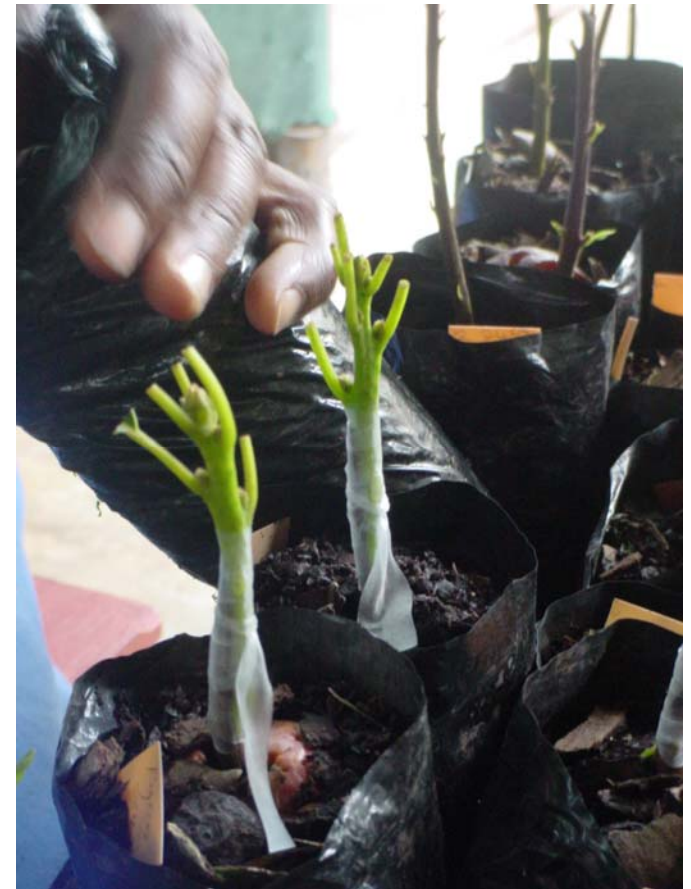
- Keeps information from mother trees where seed are harvested.

- Block
      - Cultivar
      - Tree number
      - etc...



# The Process

- Planting of seed
  - Information regarding planted seed
  - Links to mother tree where seed came from
- Grafting
  - Nurse grafting for clonal plants
  - Cultivar grafting for seedling plants





# The Process

- Nurse grafting

- Scion (future rootstock) is chosen to graft onto chosen nurse seedlings
- A worker is specified as grafter – graft bonuses

- Cultivar grafting

- Seedlings - Scion is grafted onto chosen seedling plants
- Clonal plants - Scion is grafted onto rooted clonal rootstocks
- A worker is also specified as grafter



# The Process

## □ Etiolation

- After nurse grafting plants will go into etiolation in preparation for rooting.

## □ Rooting

- Rooting will take place on etiolated shoots



# The Process

- Cutting / Severing
  - Micro Clones are cut from the nurse seedling plants



# The Process

- Planting out
  - Planting out of seedlings or Micro Clones into large bags
  - Plants are then located in large bag area





# The Process

- Large bag area
  - Plants are located in specific rows
  - Plants ready for delivery are moved to designated loading areas



# The Process

- Order / delivery

- Enquiry

- Used to keep record of enquiries by potential clients

- Order

- Orders submitted by clients are recorded by the program

- Pending delivery

- When the required deposit is received from the client, the order moves on to be a pending delivery

# The Process

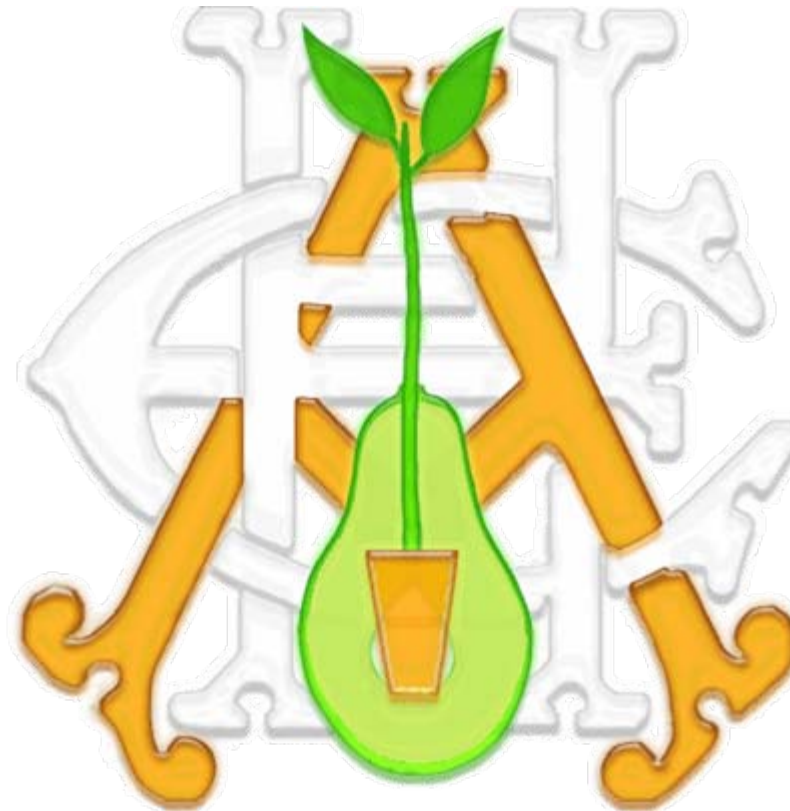
- Delivery
  - When physical delivery of plants take place the program will issue a delivery note
  - Plants on the loading areas will be allocated for delivery and removed from stock



# Conclusion

- Ahuacatl can be successfully used in the computerization of management tasks in an avocado nursery, thereby relieving a large part of the administrative burden on managers.
- This is accomplished by the automation of client, stock and sales administration as well as putting a wealth of information at the fingertips of an avocado nursery manager.
- The advantages over a paper-based system, or even using Excel or similar applications, are clearly evident.
- Allesbeste Nursery has already demonstrated the successful use of Ahuacatl through their extensive reliance on the software for their day-to-day management tasks.

Thank you!



*Allesbeste*